

FILL-RITE®

The Most Trusted Name in Pumps and Meters



FR311VB

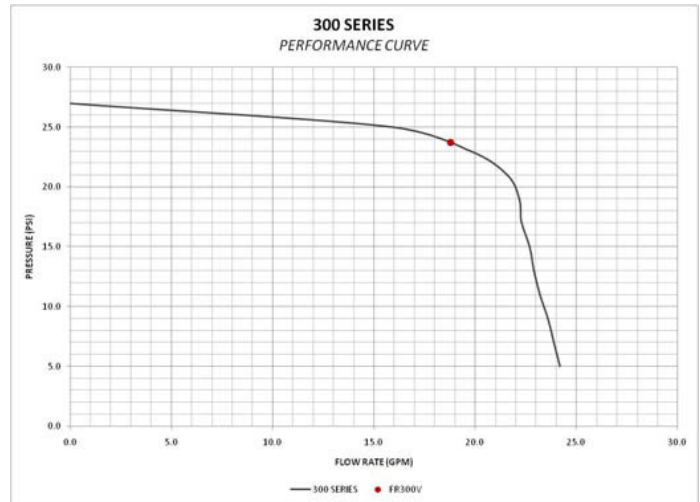
Technical Specifications

Motor

Power - AC	115,230, 115/230 VAC	115/230
HZ	50,60,50/60	60/50
Power - DC	12, 24, 12/24	N/A
HP (Horsepower) Rating		3/4 HP
Power Cord Length (feet)		N/A
Power Cord Gauge (AWG)		N/A
DC Power Cord Connectors		N/A
Amps (FLA)	9.8/4.9 11.4/5.7	
RPM		1725/1425
Duty Cycle		30 min.
Thermal Protection Switch		Yes
Circuit Protection Fuse		None
Certification		UL, cUL

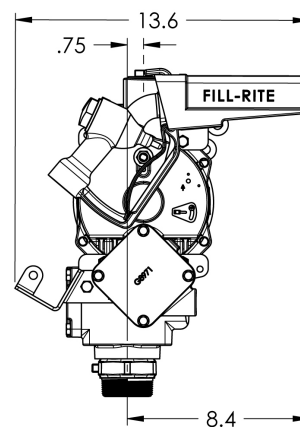
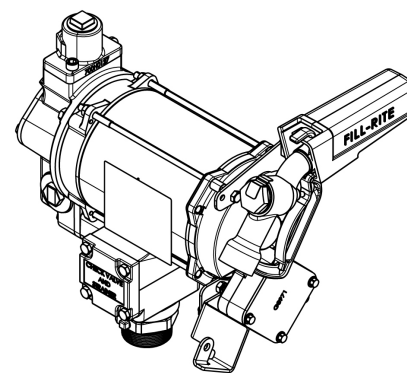
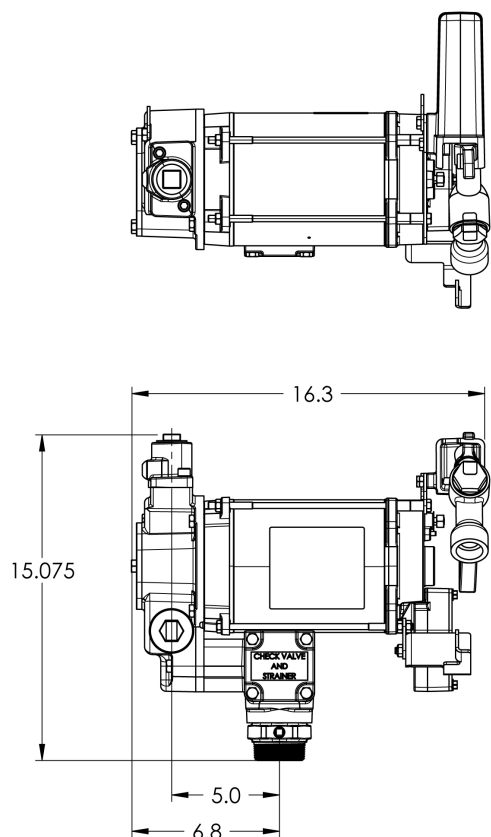
Pump

Type - Rotary, Diaphragm, Gear, Vane		Rotary Vane
GPM in Supplied Configuration		28.7
GPM Open Flow - no Hose or Nozzle		34.3
By-Pass Pressure Rating (PSI) - Max		26 PSI
Dry Vac (in Hg)		14
Head - Max (Ft.)		60.06
Anti-Siphon Valve		Anti-Siphon Ready
Inlet - Size / Thread		1.25"
Outlet - Size / Thread		NPT
Mount		Bung (NPT)
Material - Pump Housing		Cast Iron
Material - Wetted Material		Buna
Rotor Material		Iron / Copper
Rotor Vane Material		Carbon
Compatible Fluids		Diesel, Gasoline, Bio-Diesel up to B20, E15, Kerosene
Strainer Mesh Size		40 x 40 x .008"
Warranty		2 Years



SERVICE KIT INFORMATION

Kit	Description	Parts
KIT300BD	Bio-Diesel Kit	Special shaft seal assembly, gasket, inlet gasket, bypass O-ring
KIT300BV	Bypass Kit	Poppet, spring, O-ring, cap
KIT300JC	Junction Box	Junction box cover, O-ring, hardware
KIT120NB	Nozzle Boot Kit	Nozzle boot, attaching hardware
KIT300NR	Nozzle Retainer Kit	Nozzle retainer and attaching hardware
KIT700BG	Inlet Kit	Inlet adapter, AST 2 x 1 1/4
KIT300SW	Switch Lever	Switch lever and nut
KIT300RG	Rotary Group	Rotor, 8 vanes, rotor key, gasket, rotor cover, 4 screws
KIT300SL	Shaft Seal	8 piece assembly
KIT300OT	Outlet Kit	Outlet flange, O-ring seal, attaching hardware
KIT700AS	Anti-Siphon Kit	Anti-siphon valve, Teflon tape, elbow adapter, stainless steel braided hose, attaching hardware



Accessories

Suction Pipe Material	N/A
Suction Pipe Length	N/A
Nozzle - Size	1"
Nozzle - Manual / Automatic	Manual
Hose Diameter	1"
Hose Length	18'
Hose Material of Construction	Black Nitrile Rubber
Hose Static Wire (Yes/No)	Yes
Certifications	UL, cUL

Measurements

Overall Height	19.4"
Overall Width	17"
Overall Depth	17"
Intake Center Line to Discharge Center Line	2"
Intake Center Line to Back of Nozzle Boot	8.5"
Shipping Weight	94 lbs
Qty per Pallet	8
Box Dimensions:	
Length	21"
Width	20"
Height	17"

FR311VB-DS_Rev.1_310718